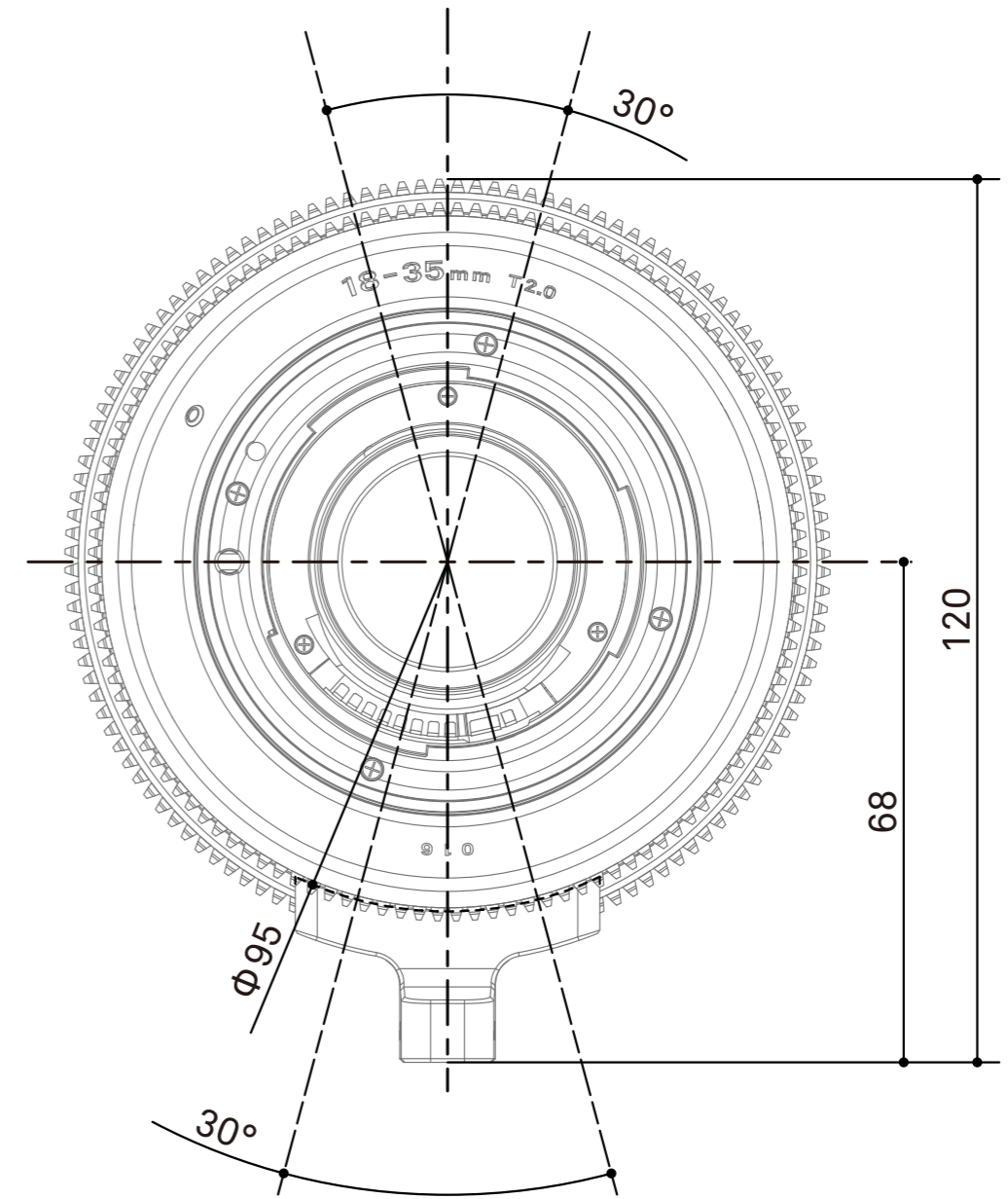
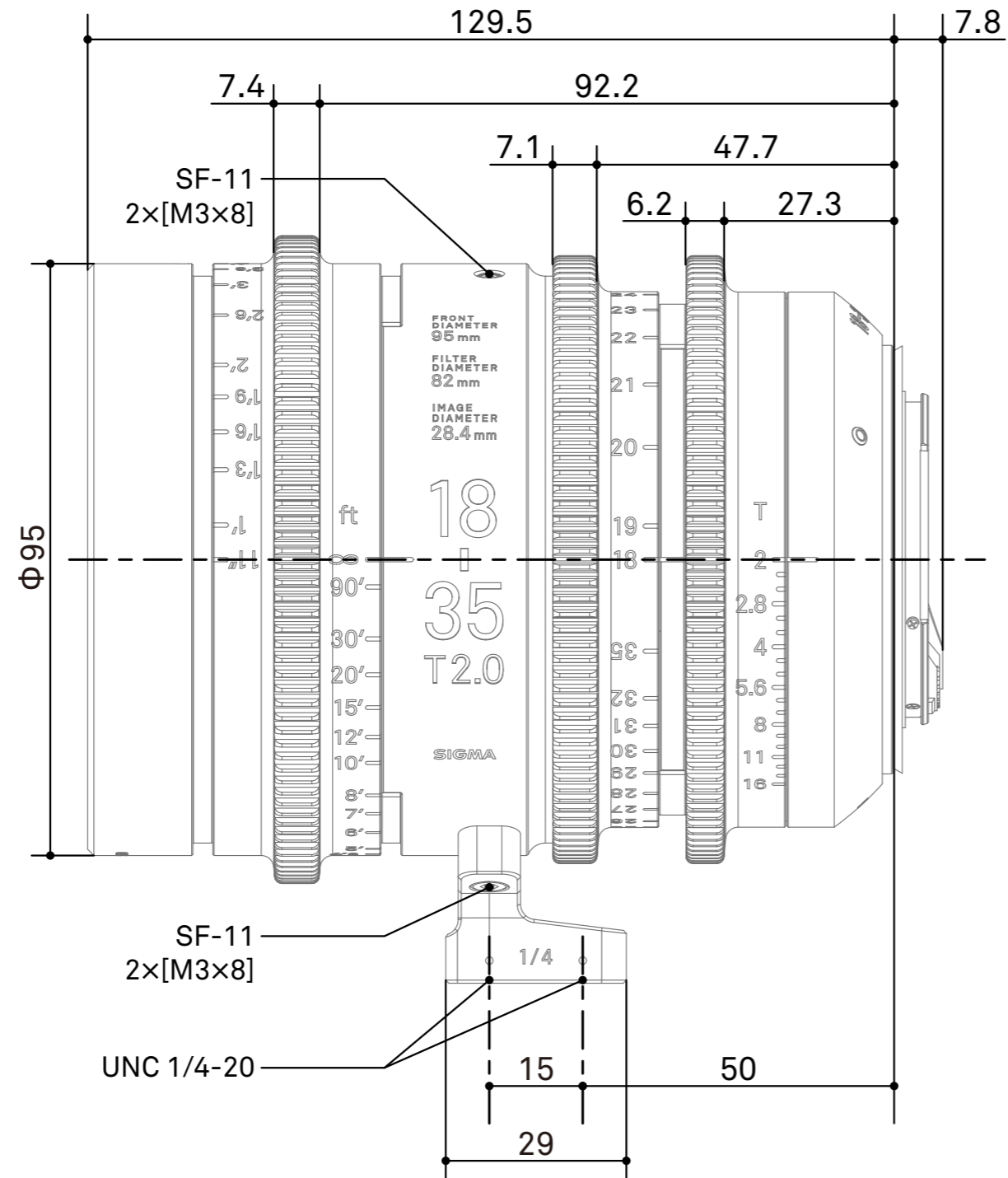


# SIGMA

## SIGMA 18-35mm T2 Dimensions EF Mount

Spur gear specifications

	Focus drive gear	Zoom drive gear	Iris drive gear
Number of teeth	128	120	120
Module	0.8	0.8	0.8
P.C.D	102.4mm	96mm	96mm
Angular rotation	180°	160°	60°

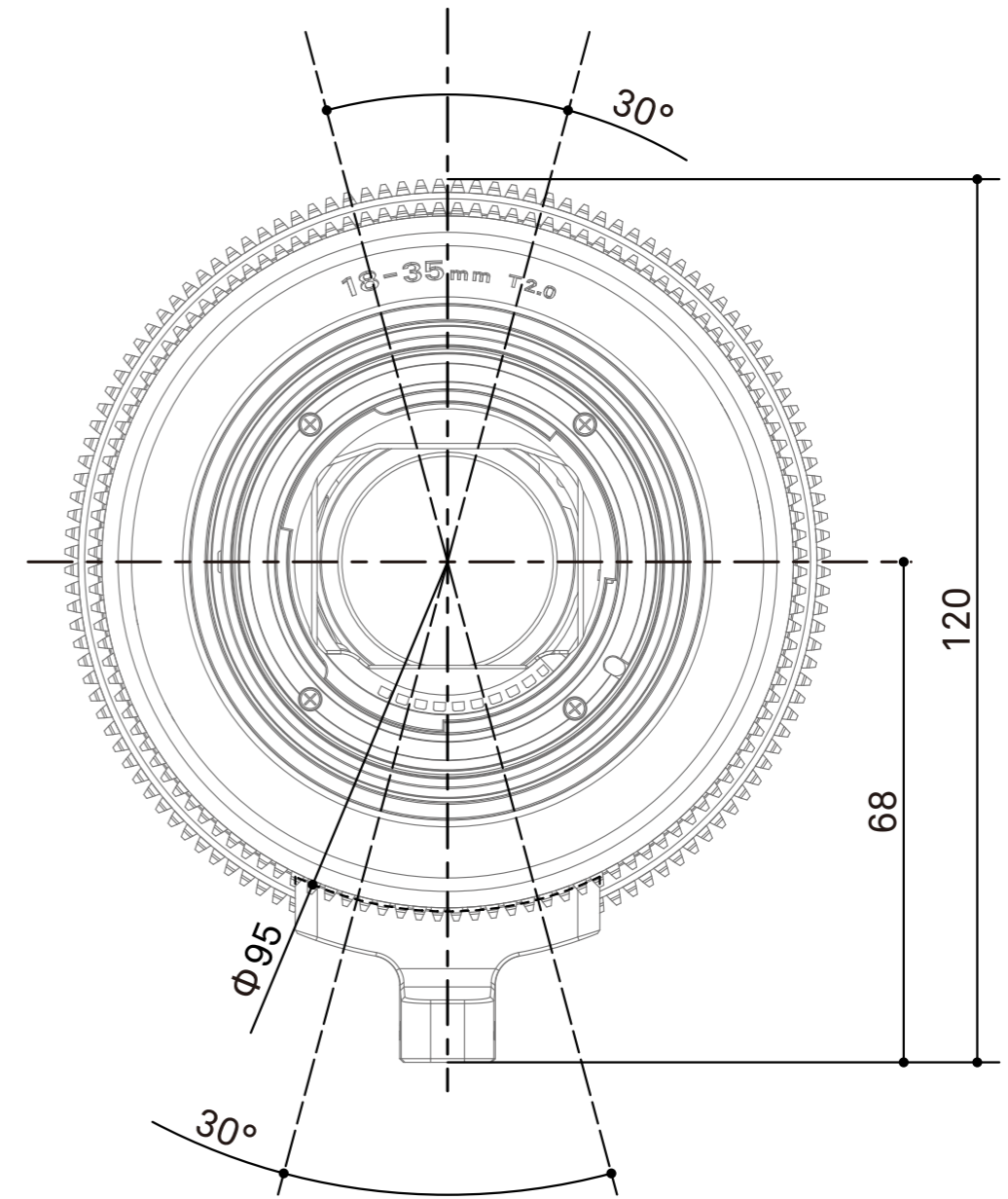
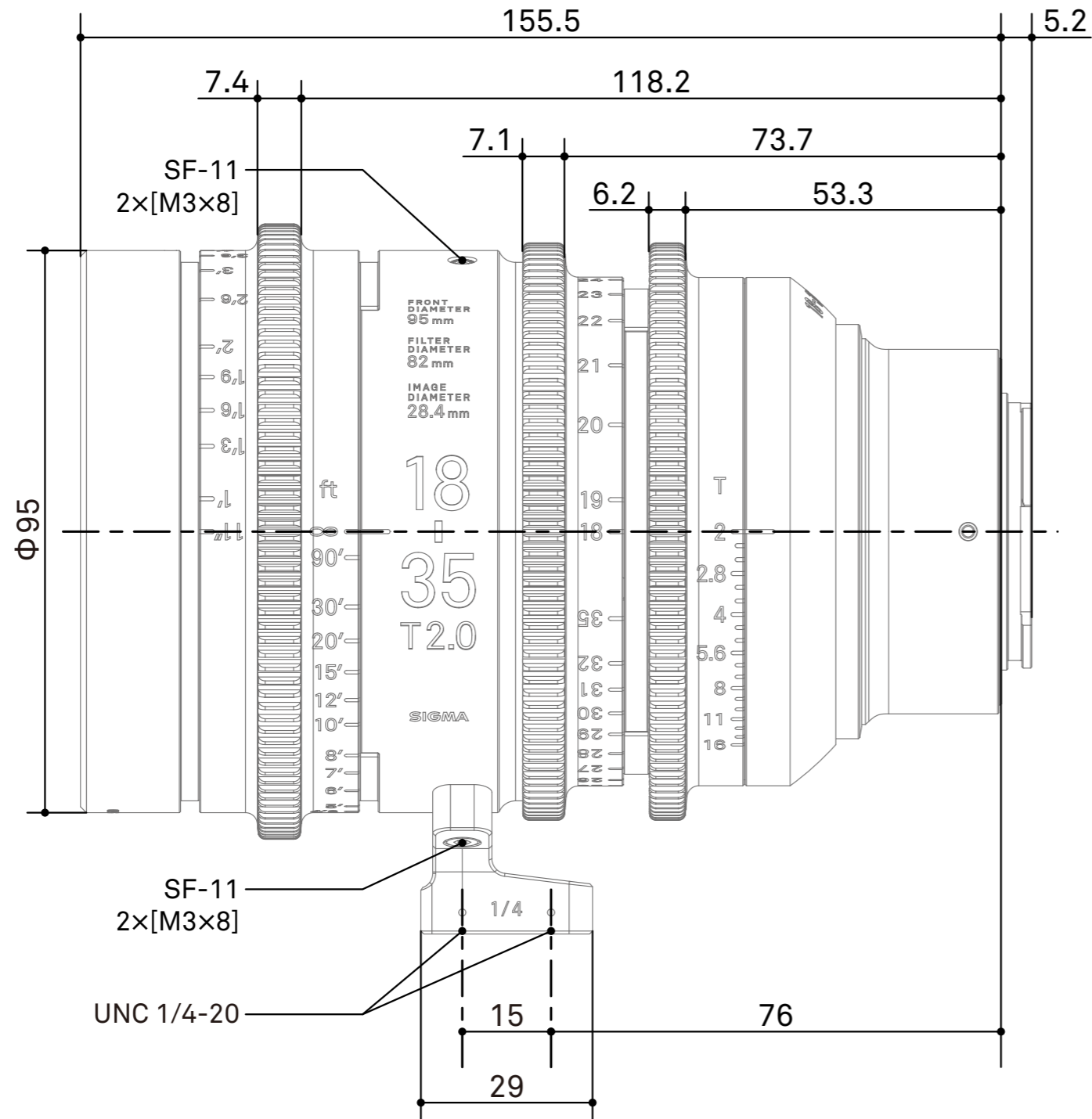


/mm  
scale 1:1

## SIGMA 18-35mm T2 Dimensions E Mount

Spur gear specifications

	Focus drive gear	Zoom drive gear	Iris drive gear
Number of teeth	128	120	120
Module	0.8	0.8	0.8
P.C.D	102.4mm	96mm	96mm
Angular rotation	180°	160°	60°



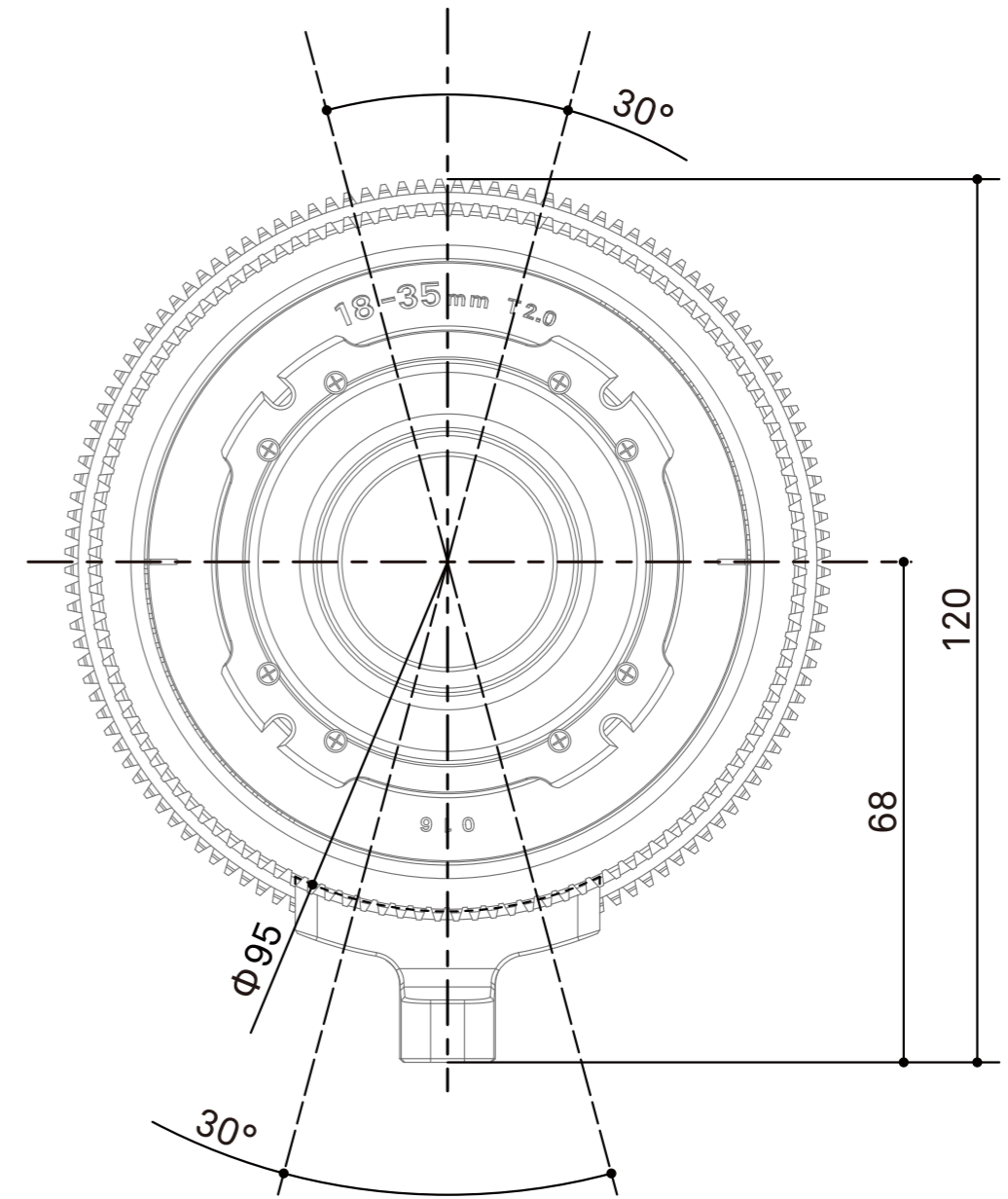
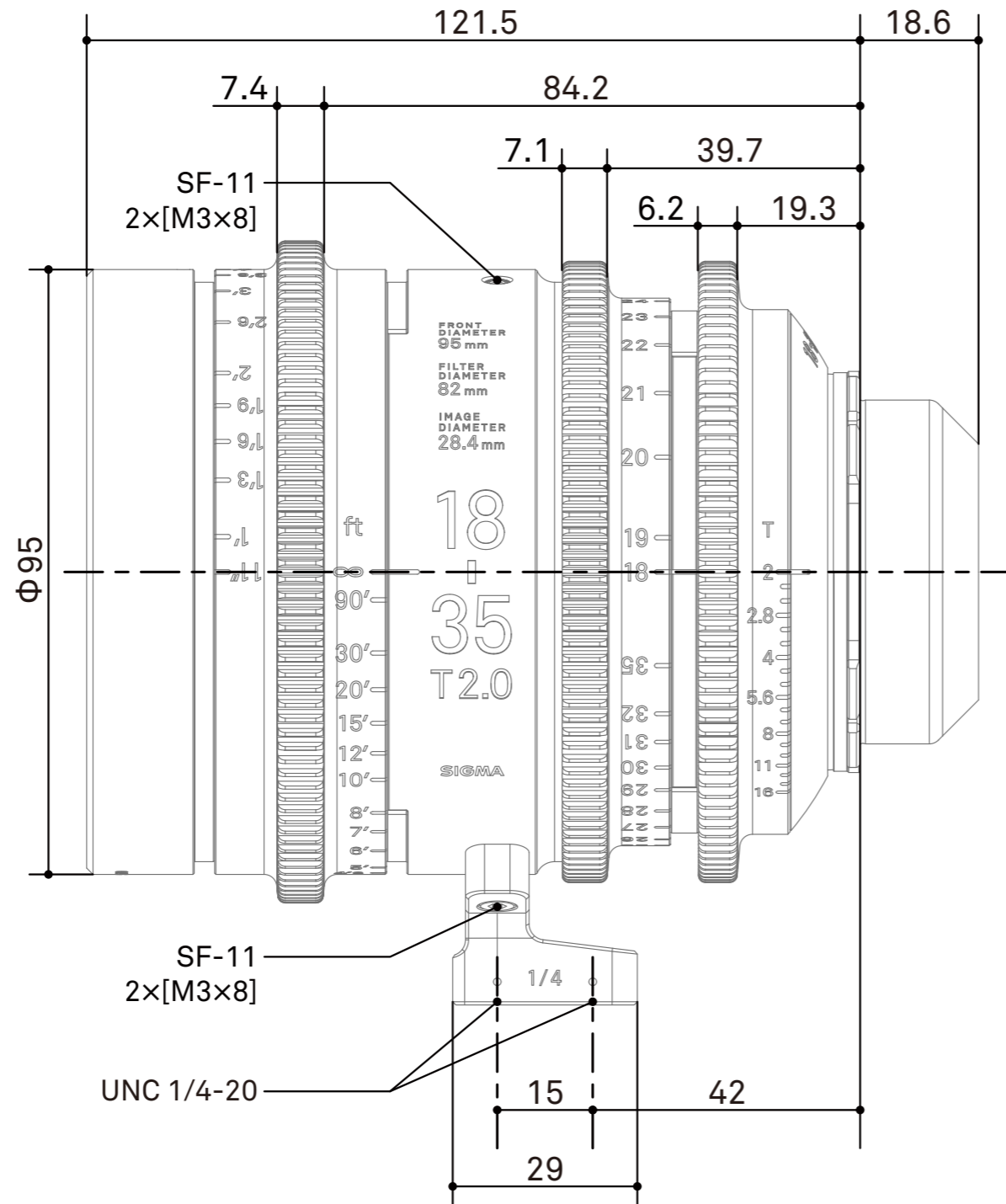
/mm  
scale 1:1

# SIGMA

## SIGMA 18-35mm T2 Dimensions PL Mount

Spur gear specifications

	Focus drive gear	Zoom drive gear	Iris drive gear
Number of teeth	128	120	120
Module	0.8	0.8	0.8
P.C.D	102.4mm	96mm	96mm
Angular rotation	180°	160°	60°



/mm  
scale 1:1